

Metering Technology

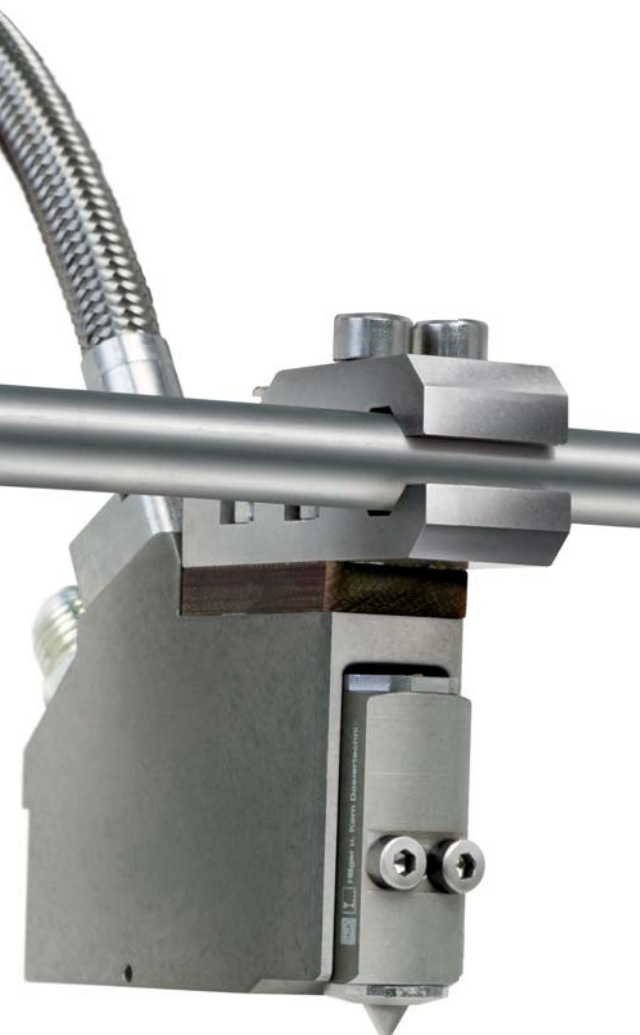


High-Speed Valve



Hilger u. Kern / Dopag Group

High tech - High speed



High-Speed Valve

Precise metering applications of grease and oil

The High-Speed Valve can be used to apply grease or oil to the workpiece from a distance of up to 120 mm without stringing.

An innovative valve nozzle has a self-cleaning effect that ensures a permanently clean application of material as well as a perfect cut off of the material flow, whether the valve is used for shot or bead laying applications.

The compact design offers the opportunity to use the valve even in the narrowest of spaces.

The valve is CE conformal.

Technical data

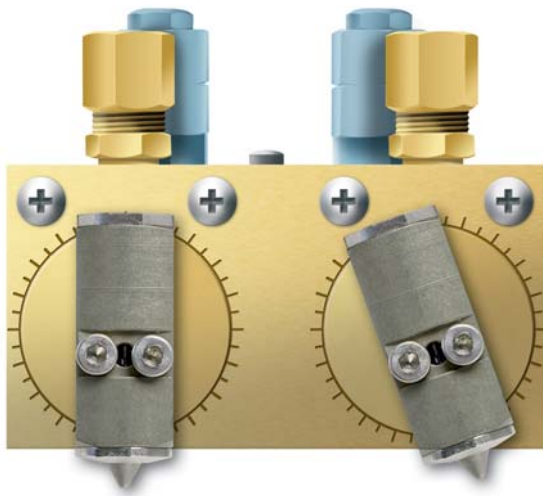
Flow rate	1.0 to 20 mm ³ per shot
Viscosity	< 150,000 mPa s (higher on request)
Switching frequency	up to 100 Hz
Apply distance	120 mm
Environmental temperature	-7 °C to +50 °C
Material temperature	up to 65 °C
Working pressure	1 to 20 bar (depending on the viscosity)
Weight	approx. 580 g

Features and benefits

- No stringing
- Optimised valve closing technique
- Compact construction
- Integrated material filter
- Splash proof
- Short switching times

Special edition

- Flexible, adjustable application heads
 - Infinitely variable module for flexible distances
 - Integrated filter

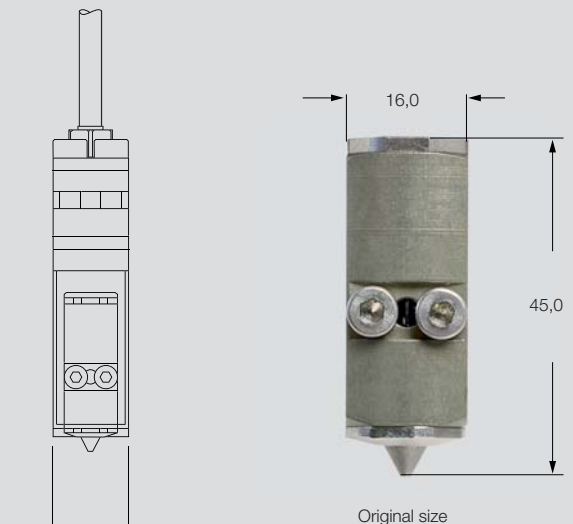
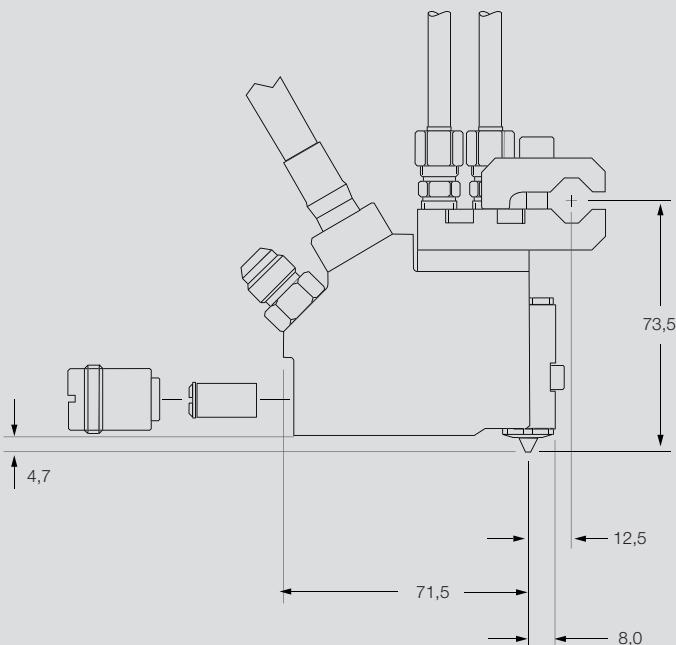


Optional

- Different nozzle sizes
 - To meet individual requirements of viscosities and flow rates, alternative nozzle sizes are available.
- Metering control
 - Through the use of volume counters, volumetric metering control is possible.
- Hilger u. Kern metering computer

By using the metering computer all applications that can be achieved with the High-Speed Valve can be parameterised and alternative metering processes can be memorised.

The metering computer can either be directly integrated or wired to an external remote housing.



Hilger u. Kern / Dopag Gruppe



Germany

Hilger u. Kern GmbH
Industrietechnik
Käfertaler Straße 253
68167 Mannheim

☎ +49 621 3705-0
☎ +49 621 3705-200
info@hilger-kern.de
www.hilger-kern.com

Vertriebsbüro Mitte 1
68167 Mannheim
☎ +49 171 8087282
VBMitte@hilger-kern.de

Vertriebsbüro Mitte 2
68167 Mannheim
☎ +49 171 8087299
VBMitte@hilger-kern.de

Vertriebsbüro Nord
30880 Laatzen
☎ +49 171 8087290
VBNord@hilger-kern.de

Vertriebsbüro Ost
99831 Creuzburg
☎ +49 171 8087303
VBOst@hilger-kern.de

Vertriebsbüro Süd
86391 Stadtbergen
☎ +49 171 8087285
VBSued@hilger-kern.de

Vertriebsbüro West
46238 Bottrop
☎ +49 171 8241397
VBWest@hilger-kern.de

China

Hilger u. Kern
Rep. Office Shanghai
☎ +86 21 3368 7775
office@hilger-kern.cn

Switzerland

DOPAG Dosiertechnik
und Pneumatik AG
Langackerstrasse 25
6330 Cham

☎ +41 41 7855-757
☎ +41 41 7855-700
info@dopag.ch
www.dopag.com

Denmark

DOPAG SCAN ApS
Roskilde
☎ +45 45 828090
info@dopag.dk

United Kingdom

DOPAG (UK) Ltd.
Droitwich
☎ +44 1299 250740
uksales@dopag.com

France

DOPAG Sarl
Valence
☎ +33 4 75419060
contact@dopag.fr

Italy

DOPAG ITALIA S.r.l.
Turin
☎ +39 011 9348888
info.it@dopag.com

Malaysia

DOPAG FAR EAST
SDN BHD
Selangor
☎ +60 3 78064564
info@dopag.com.my

USA

DOPAG (US) Ltd.
Cincinnati
☎ +1 513 682 7865
ussales@dopag.com

The Hilger u. Kern / Dopag Group, with more than 300 employees, 8 subsidiaries and 24 distributors, is one of the leading manufacturers of metering and mixing systems in the world for plural component polymers and single component media such as greases, oils and pastes. For more than 30 years the group has developed systems and components to suit your individual needs.