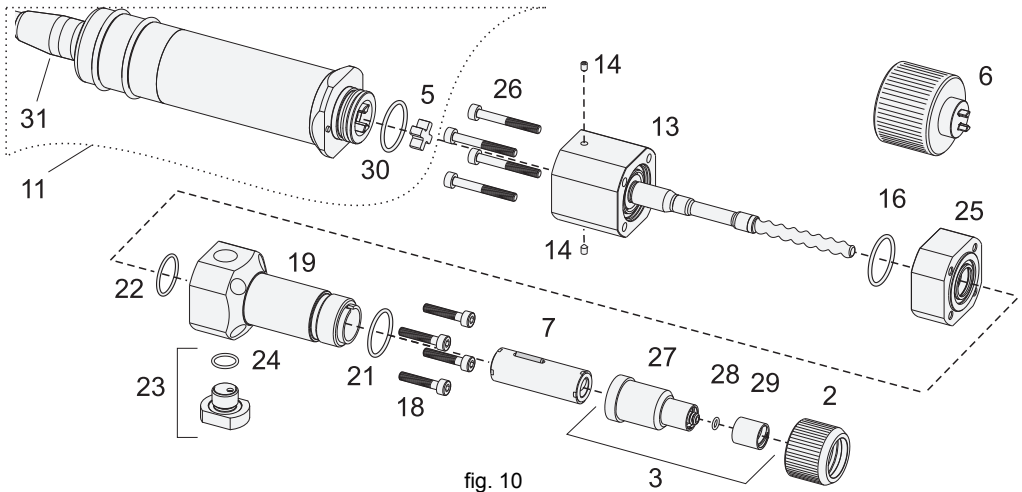


7 Spare parts



Item	Part No.	x	Item name	Material
	21526		Dosing unit eco-PEN330 cpl. (without 11)	
2	20085		Union ring eco-PEN330	Aluminium
3	20075		End piece eco-PEN330 with Luer-Lock cpl.	POM
5	20050	x	Star-shaped coupling	Elastomer
6	20108		Assembly aid	Aluminium
7	21483	x	Stator cpl. eco-PEN330	VisChem
11	21547	x	Drive unit eco-PEN330 cpl.	
13	21565		Bearing housing with rotor set cpl.	
14	20088		Set screw	A2
16	20007	x	O-ring Ø 16	FKM
18	20089		Allen screw	A2
19	20083		Dispenser housing eco-PEN330	POM
21	20084	x	O-ring Ø 15	FKM
22	20011	x	O-ring Ø 13	VisChem
23	20510		Bleed screw cpl.	POM
24	20513		O-ring	FKM
25	20148		Seal set with housing	
26	20090		Allen screw	A2
27	20076		End piece eco-PEN330 with Luer-Lock	POM
28	20035	x	O-ring	FKM
29	20021		Threaded sleeve Luer-Lock	Aluminium
30	20041	x	O-ring Ø 17	NBR
31	20784		motor cable eco-PEN cpl.	

x = recommended spare parts and wearing parts