



METER · MIX · DISPENSE

vectodis vectomix

FOR THE PROCESSING OF LOW
TO HIGH VISCOSITY MATERIALS



Maximum Perfection

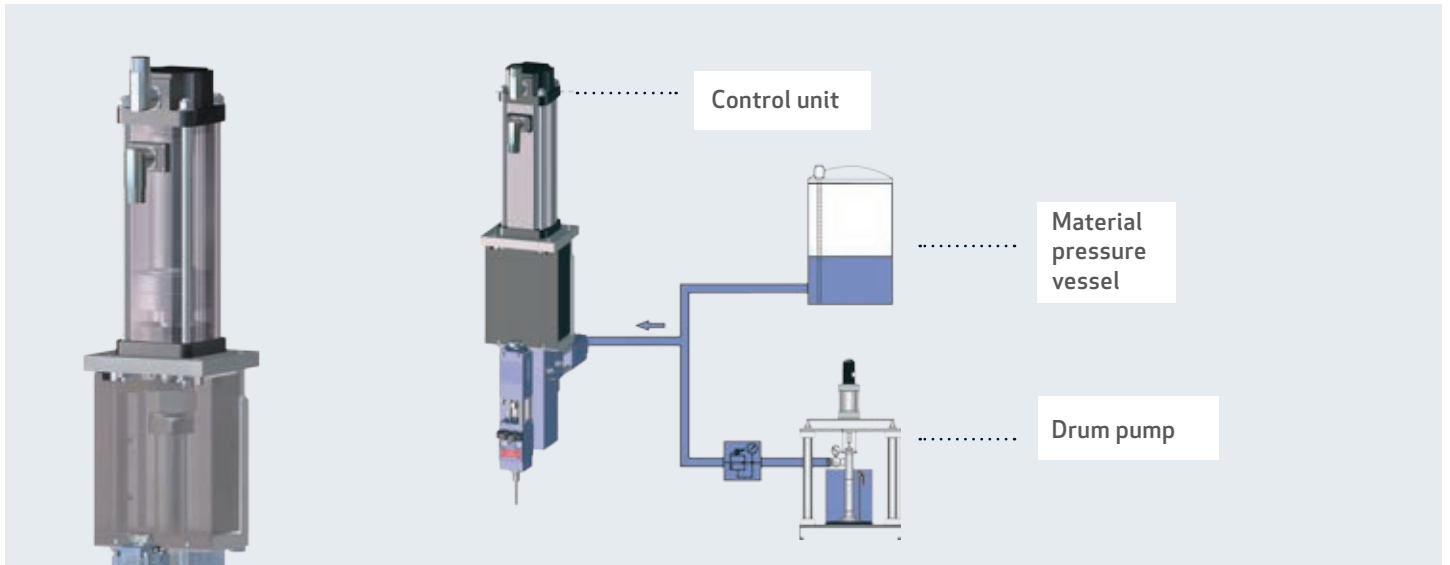
To process low to high viscosity and even abrasive materials, DOPAG has developed two product lines, vectodis and vectomix.

These products are the result of consistent research, development and engineering with the goal of finding a visionary concept, able to set standards for the future in metering technology. The modular construction of vectodis and vectomix enables a wide range of use. Both product lines are especially recommended if a material needs to be applied in a high precision and repeatable way.

The rotational movement of a servo motor is converted into a linear movement by means of a spindle which is driving the steel piston. Various constructional characteristics are resulting in minimal maintenance and reduced service intervals which leads to a longer product life.



vectodis



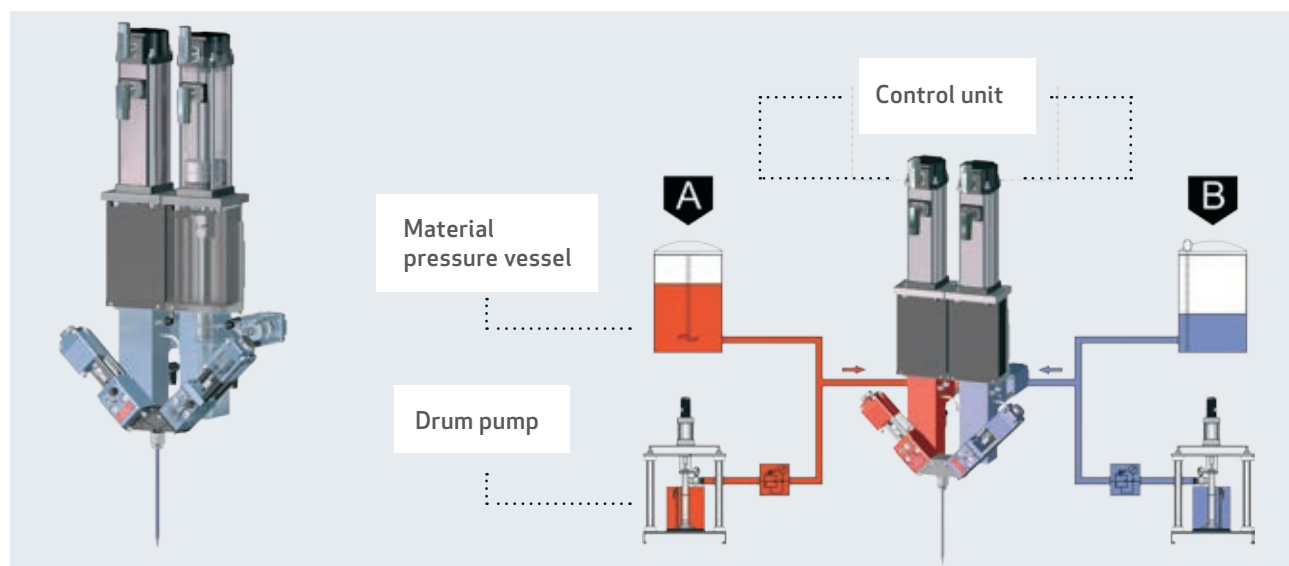
Vectodis is used to handle single component materials. Just a suitable material supply and metering computer is required.

The material can be processed by either shot dispensing or continuous flow.

Size	ø6	ø10	ø20	ø36
Max. metering volume	1.8 ml	7.8 ml	31 ml	101 ml
Min. metering volume (5 mm stroke)	0.14 ml	0.4 ml	1.6 ml	5.1 ml
Metering stroke	65 mm	100 mm	100 mm	100 mm
Max. stroke speed*	100 mm/s	100 mm/s	100 mm/s	100 mm/s
Min. stroke speed*	0.1 mm/s	0.1 mm/s	0.1 mm/s	0.1 mm/s
Min. metering time (Full stroke)*	0.65 s	1.0 s	1.0 s	1.0 s
Min. cycle time (Full stroke)*	2.5 s	3.0 s	3.0 s	3.0 s
Max. supply pressure	160 bar	160 bar	100 bar	100 bar
Min. supply pressure	3 bar	3 bar	3 bar	3 bar
Max. working pressure	160 bar	160 bar	100 bar	100 bar
Viscosity range	50 –1,000,000 mPa s	50 –1,000,000 mPa s	50 –1,000,000 mPa s	50 –1,000,000 mPa s
Power supply	400 VAC 3/N/PE / 50/60 Hz 230 VAC L/N/PE / 50/60 Hz 220-240 VAC 3/PE / 50/60 Hz	400 VAC 3/N/PE / 50/60 Hz 230 VAC L/N/PE / 50/60 Hz 220-240 VAC 3/PE / 50/60 Hz	400 VAC 3/N/PE / 50/60 Hz 230 VAC L/N/PE / 50/60 Hz 220-240 VAC 3/PE / 50/60 Hz	400 VAC 3/N/PE / 50/60 Hz 230 VAC L/N/PE / 50/60 Hz 220-240 VAC 3/PE / 50/60 Hz
Max. dimensions	102 x 320 x 596 mm	116 x 365 x 759 mm	116 x 365 x 769 mm	150 x 390 x 858 mm
Weight	approx. 9.3 kg	approx. 11.8 kg	approx. 14.9 kg	approx. 26.9 kg

* Depending on material characteristic, material supply pressure and use of the material compression function

vectomix



Vectomix is used to handle multi component materials. Due to its compatibility and modularity, two vectodis single component piston metering systems with equal or different sizes are used. They can be connected by simply using a mixing block onto the outlet of which a

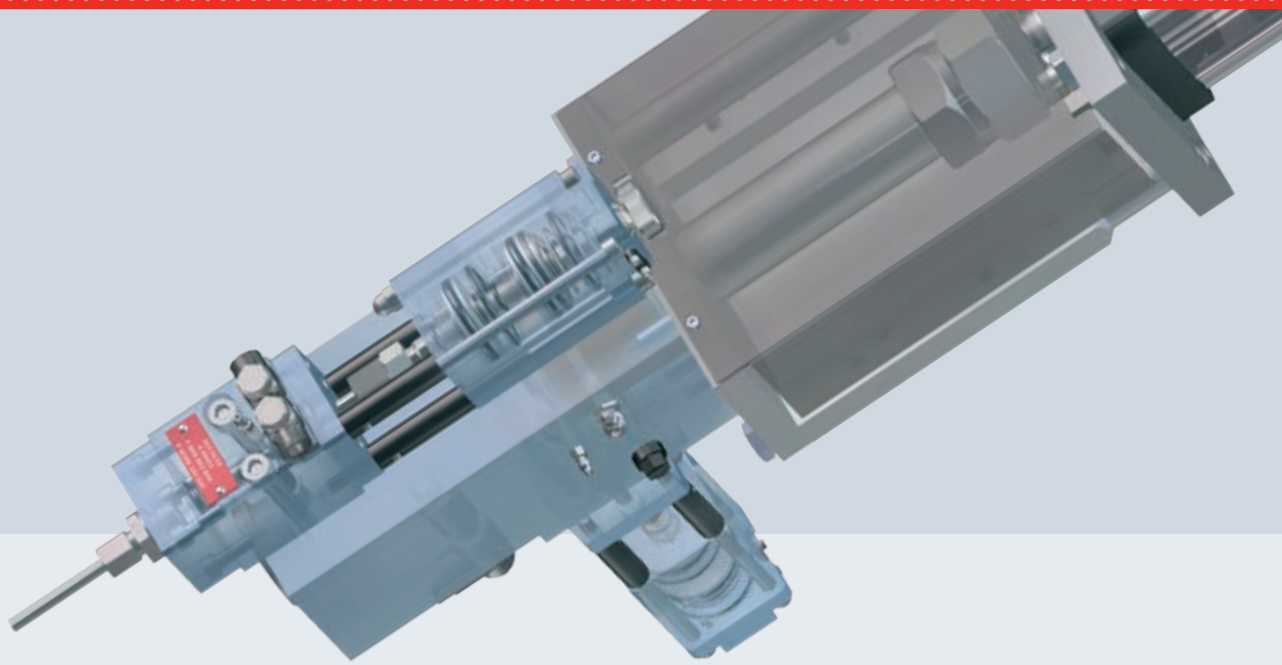
disposable plastic mixer is mounted. The use of a hose package with a decentralized mixing system is also possible. Just a suitable material supply and metering computer is required.

Size	ø6/6	ø10/10	ø20/20	ø36/36
Max. metering volume**	3.6 ml	15.6 ml	62 ml	202 ml
Min. metering volume ** (5 mm stroke)	0.3 ml	0.8 ml	3.2 ml	10.2 ml
Metering stroke	65 mm	100 mm	100 mm	100 mm
Max. stroke speed*	100 mm/s	100 mm/s	100 mm/s	100 mm/s
Mixing ratio*	100:100 bis 100:5 ***	100:100 bis 100:5 ***	100:100 bis 100:5 ***	100:100 bis 100:5 ***
Min. metering time (Full stroke)*	0.65 s	1.0 s	1.0 s	1.0 s
Min. cycle time (Full stroke)*	2.5 s	3.0 s	3.0 s	3.0 s
Max. supply pressure	160 bar	160 bar	100 bar	100 bar
Min. supply pressure	3 bar	3 bar	3 bar	3 bar
Max. working pressure	160 bar	160 bar	100 bar	100 bar
Viscosity range	50–1,000,000 mPa s	50–1,000,000 mPa s	50–1,000,000 mPa s	50–1,000,000 mPa s
Power supply	230 VAC L/N/PE / 50/60 Hz 220-240 VAC 3/PE / 50/60 Hz	230 VAC L/N/PE / 50/60 Hz 220-240 VAC 3/PE / 50/60 Hz	230 VAC L/N/PE / 50/60 Hz 220-240 VAC 3/PE / 50/60 Hz	230 VAC L/N/PE / 50/60 Hz 220-240 VAC 3/PE / 50/60 Hz
Max. dimensions	415 x 350 x 544 mm	415 x 365 x 709 mm	415 x 365 x 719 mm	449 x 390 x 825 mm
Weight	approx. 19.3 kg	approx. 24.3 kg	approx. 30.3 kg	approx. 55.3 kg

* Depending on material characteristic, material supply pressure and use of the material compression function

** For volumetric mixing ratio 1:1

*** Lower on request



vectodis ^

Application areas

.....

- Bonding
- Encapsulation
- Sealing
- Shot dispensing
- Moulding
- Bead dispensing

Features and benefits

.....

- Modular construction enables a wide range of use, variable mixing ratios and flow rates
- High precision through metering and mixing at the point of application
- High process security through:
 - construction with reduced dead space
 - de-airing on the top of the metering chamber
 - metering chamber with pressure monitoring
- Reduction of the maintenance through:
 - specially guided metering pistons
 - coupling between drive and metering piston
 - hermetic sealing of the piston with additional sealing liquid

Industries

.....

These modern metering systems can be used in any industry where materials need to be applied in a high precision and repeatable way.

- Automotive
- Electrical and electronic
- Renewable energy
- Aerospace
- White goods
- and many more

Control unit

.....

To control these systems a metering computer with touch screen terminal is used.

With this metering computer all applications that can be achieved with vectodis or vectomix can be parameterised and different metering processes can be memorised.

The control unit is wired into a control cabinet. The metering computer can also handle applications where a speed proportional material supply is required, for example in combination with a robot.



DOPAG is one of the leading manufacturers of metering and mixing technology. In numerous industries, DOPAG systems and components are used for processing and application of multi-component polymers or 1-component media such as adhesives, greases and oils. The company employs more than 300 people and is represented in more than 30 countries by its subsidiaries and distributors.

DOPAG is a member of the HILGER & KERN GROUP that has been a reliable supplier and service partner for industrial enterprises across various market segments for more than 85 years.

Worldwide sales and service



Germany

Hilger u. Kern GmbH
Metering Technology
Käfertaler Straße 253
68167 Mannheim

Tel.: +49 621 3705 - 500
Fax: +49 621 3705 - 200

info@dopag.de
www.dopag.de

Switzerland

DOPAG Dosiertechnik
und Pneumatik AG
Langackerstrasse 25
6330 Cham

Tel.: +41 41 7855 - 757
Fax: +41 41 7855 - 700

info@dopag.ch
www.dopag.ch

France

DOPAG Sarl
contact@dopag.fr

Great Britain

DOPAG (UK) Ltd.
uksales@dopag.co.uk

Italy

DOPAG ITALIA S.r.l.
info.it@dopag.com

India

DOPAG India Pvt Ltd.
info@dopag.in

USA

DOPAG (US) Ltd.
ussales@dopag.com

China

DOPAG (Shanghai) Metering
Technology Co., Ltd.
office@dopag.cn